

## Pressure-reduction valve NG6

electrically adjustable,  
pressure range 8-120 bar



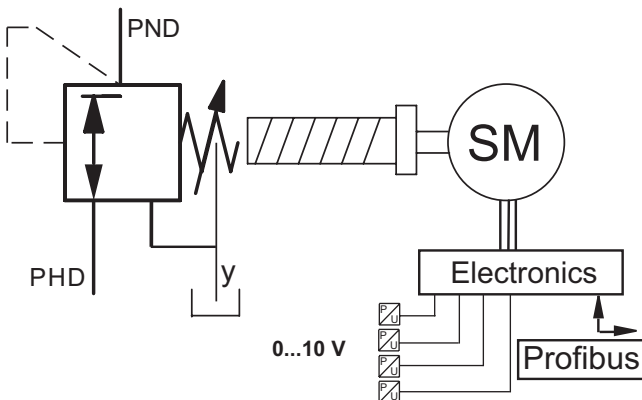
- Safety by automatic lock, spindle drive
- High reproducibility
- Direct controlled, damped piston valve

### Specifications according to VDI 3267

#### General

Id.Nr.	32342
Configuration number	see symbol
Mounting method	sandwich plate
Method of actuating	motorically
Fastening	4x M5
Mounting position	mountable in any position
Ambient temperature	°C 5 to +50
Mass valve	kg 4,1

#### Symbol:



#### Hydraulic

Operating pressure range		
Supply pressure max.	bar	300
Set pressure range	bar	8 - 120
Adjusting time 8 - 120 bar	s	2,5
Viscosity	mm <sup>2</sup> /s	15 to 68
max. rate of flow	l/min	30

#### Electrical rating

Electric power supply	24VDC (22..28 VDC) 1A residual ripple max. 3V <sub>ss</sub>
Further data	data sheet on request
Page Nr.	79-0031-0010-00
Allowed command value	digital

The pressure adjustment at the control valve is motor-driven by the stepper-motor. The required control electronics is not part of delivery range and it can be ordered (Id.-Nr.: 79-0025-0013-00).

The motor acts by spindle drive, direct mechanically on to the valve adjustment. The pressure control is via the direct controlled, damped piston valve.

The spindle drive has a mechanical automatic lock, so that the set pressure is maintained even when distribution voltage is disconnected.

#### Options:

- further pressure ranges
- further adjusting speeds
- Allowed command value: analog, Profibus, CAN
- y at T possible
- Central connector 17-pol

The specifications given herein are subject to alteration



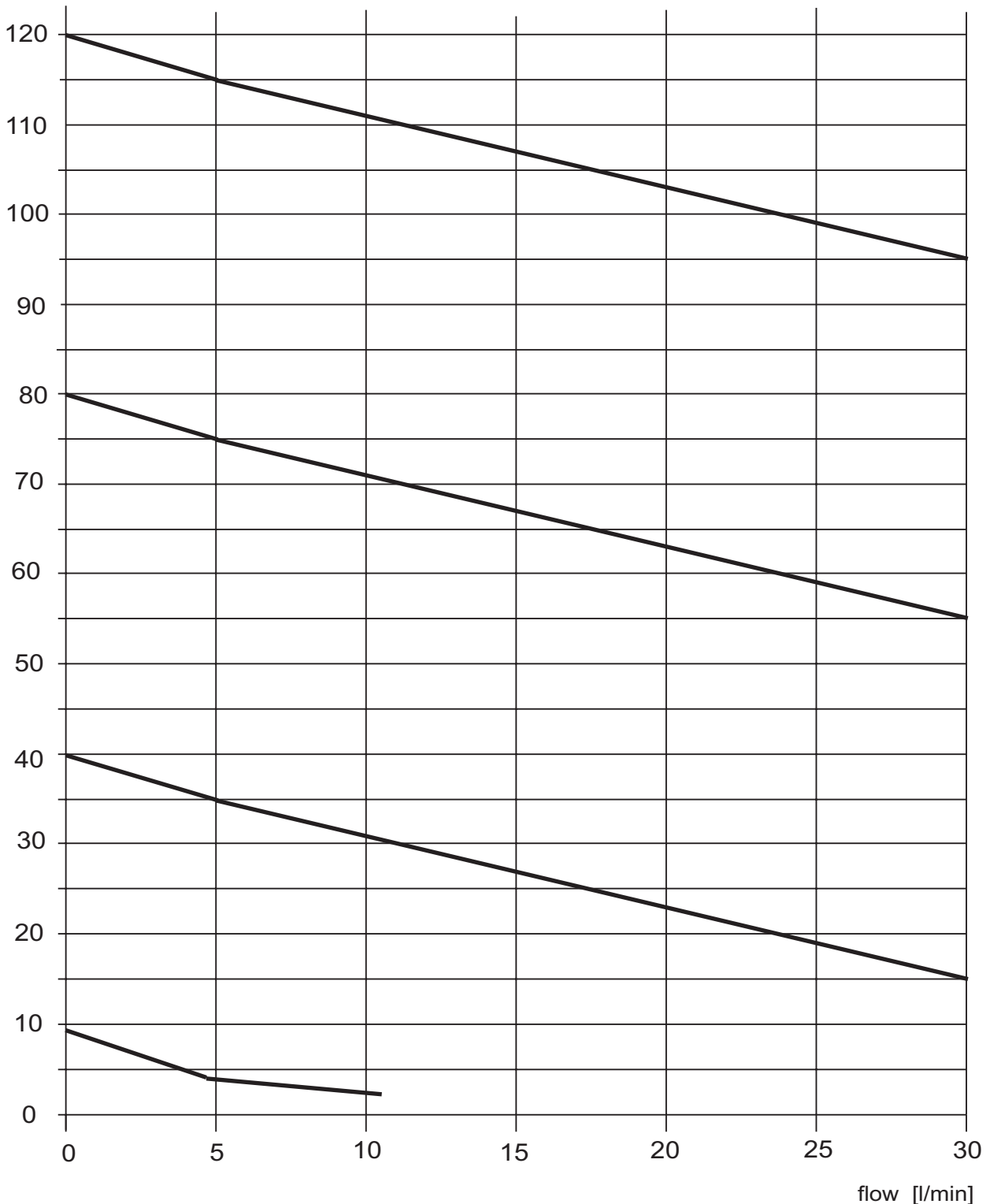
## Pressure-reduction valve NG6

electrically adjustable,  
pressure range 8-120 bar

Control characteristic:

for hydraulic oil 46 mm<sup>2</sup>/s, 40°C

pressure [bar]



The specifications given herein are subject to alteration